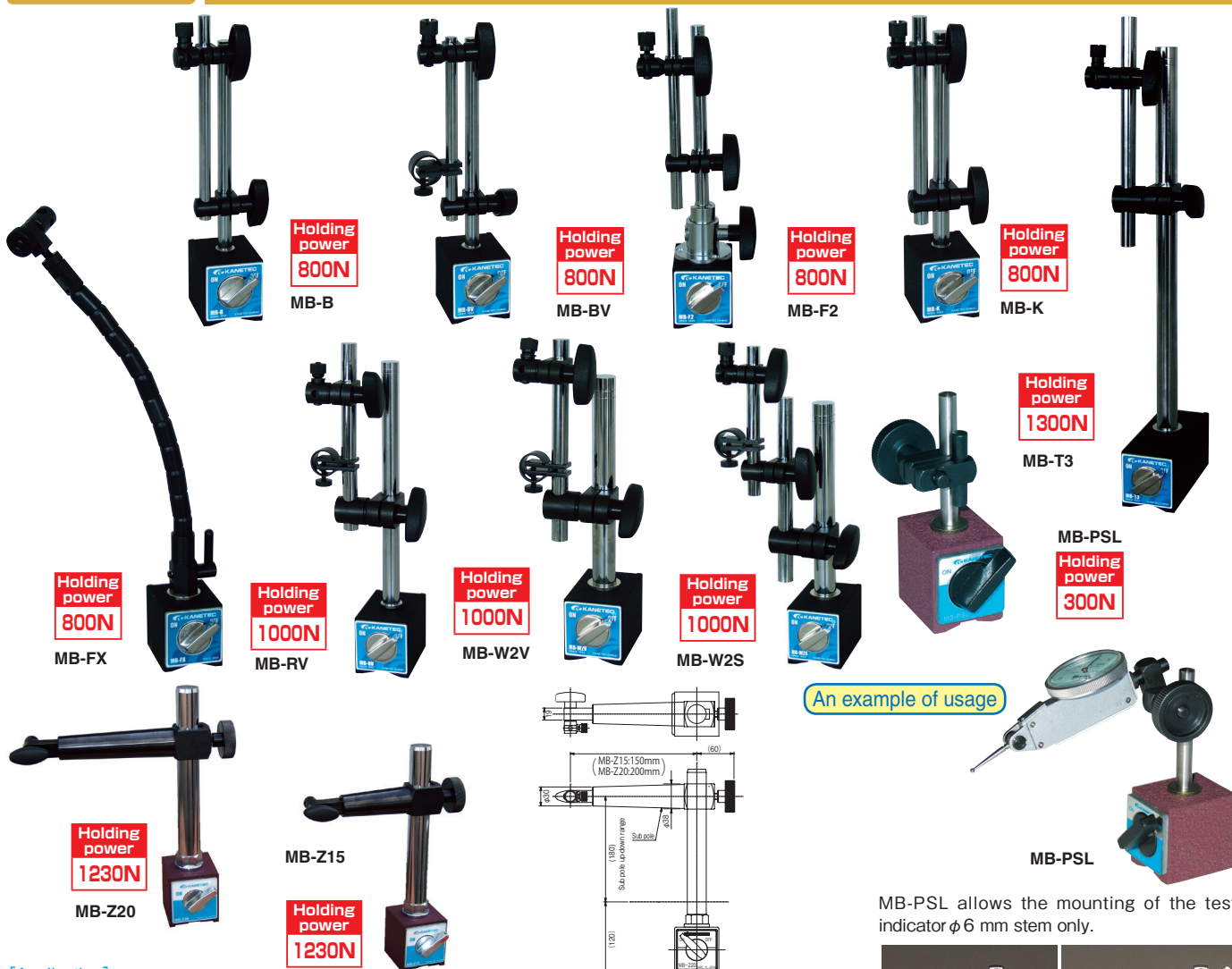
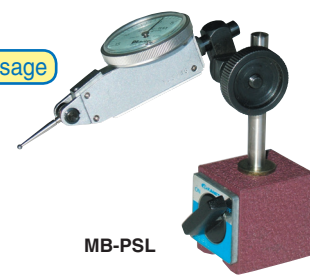


# MEASURING TOOL HOLDERS

## Model MB MAGNETIC BASE



An example of usage



MB-PSL allows the mounting of the test indicator  $\phi 6$  mm stem only.



The dial gage is not included.

### [Application]

These magnetic bases are widely used as measuring tool holders when measuring dimensions of machined workpieces (detecting errors and deviation) using a dial indicator on machine tools or iron surface plate for measurement by comparison.

### [Features]

- A wide variety of models, small to large, and with diversified additional functions, are available to suit conditions of measuring places.
- A powerful magnet and strong clamping force ensure consistent, highly accurate measurement.
- Model MB-Z magnetic bases are equipped with upper components having the highest rigidity in our Magnetic Base Series, which minimizes errors in repeated measurement and precision measurement.

Displacement at a force of 0.5 kg ... MB-Z15: 3  $\mu$ m or less (1/8 or less of conventional base)

MB-Z20: 8  $\mu$ m or less (1/3 or less of conventional base)

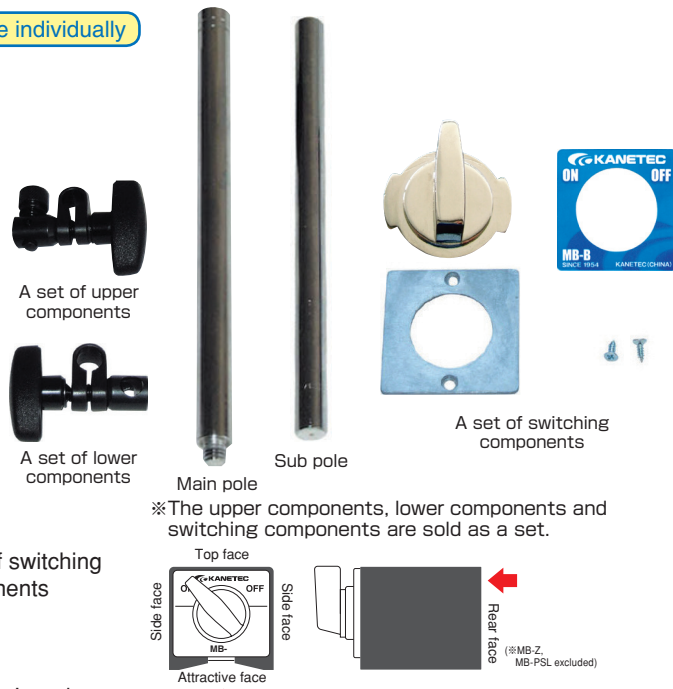
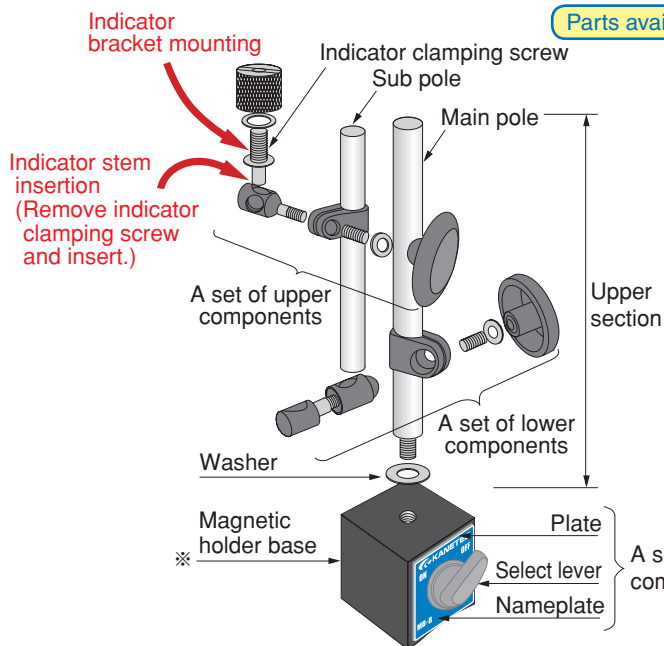
[mm (in.)]

Model	Holding Power	Magnetic Holder Base			Main Pole		Sub Pole		Main Pole Mounting Thread			Clamp Hole Dia.	Mountable Stem Dia.	Indicator Clamp Screw	Mass	Features		
		Width	Length	Height	Dia $\phi$	Length	Dia $\phi$	Length	Mag. Base	Step	Main Pole							
MB-B	800N (80kgf)	58.5 (2.30)	55	12 (0.47)	176 (6.92)	10 (0.39)	165 (6.49)	M 8(0.31) x 1.25(0.04)	-	M8(0.31) x 1.25(0.04)	6.6(0.26) / 8.1(0.31)	M6 (0.23)	-	1.5kg / 3.3 lb	General, standard type.			
MB-BV					194 (7.63)		150 (5.90)							1.8kg / 3.9 lb	General type with fine move adjustment.			
MB-F2					14 (0.55)		178 (7.00)							12 (0.47)	3-M4 (0.15)	-	1.5kg / 3.3 lb	Main pole large diameter, suitable for precision measurement.
MB-K					16 (0.62)		225 (8.85)							165 (6.49)	M 8(0.31) x 1.25(0.04)	-	M8(0.31) x 1.25(0.04)	2.4kg / 5.2 lb
MB-RV	1000N (100kgf)	50 (1.96)	73 (2.87)	55 (2.16)	16 (0.62)	225 (8.85)	14 (0.55)	M 8(0.31) x 1.25(0.04)	-	M8(0.31) x 1.25(0.04)	6.6(0.26) / 8.1(0.31)	$\phi 6$ (0.23) $\phi 8$ (0.31)	-	2.5kg / 5.5 lb	High precision type with fine move adjustment.			
MB-W2V	1300N (130kgf)	117 (4.60)	76	20 (0.78)	178 (7.00)	14 (0.55)	200 (7.87)	M20(0.78) x 1.5(0.05)	M20(0.78) / M10(0.39)	M10(0.39) x 1.25(0.04)	6.0(0.23) / 8.1(0.31)	MB-PSL: $\phi 6$ only)	-	3.6kg / 7.9 lb	Main pole longest, base largest and holding power greatest.			
MB-T3					315 (12.4)		165 (6.49)	M8(0.31) x 1.25(0.04)	-	M8(0.31) x 1.25(0.04)	6.6(0.26) / 8.1(0.31)		2.5kg / 5.5 lb	High precision type with fine move adjustment.				
MB-FX					16 (0.62)		20 (0.78)	12 (0.47)	M5(0.19) x 0.8(0.03)	-	M5(0.19) x 0.8(0.03)		6.0(0.23)	-	0.25kg / 0.5 lb	Compact and simple, suitable for limited space.		
MB-W2S	1000N (100kgf)	73 (2.87)	76	20 (0.78)	178 (7.00)	14(0.55) 12(0.47)	165(6.49) 130(5.11)	M 8(0.31) x 1.25(0.04)	-	M8(0.31) x 1.25(0.04)	6.6(0.26) / 8.1(0.31)	M6 (0.23)	-	2.7kg / 5.9 lb	Two-step sub pole with fine move adjustment.			
MB-PSL	300N (30kgf)	30 (1.18)	34 (1.33)	35 (2.12)	7 (0.27)	54 (2.12)	-	M5(0.19) x 0.8(0.03)	-	M5(0.19) x 0.8(0.03)	6.0(0.23)	-	-	0.25kg / 0.5 lb	Compact and simple, suitable for limited space.			
MB-Z15	1230N (125kgf)	70 (2.76)	70 (2.76)	76 (2.99)	30 (1.18)	250 (9.84)	-	M20(0.78) x 1.5(0.05)	M20(0.78) / M12(0.47)	M12(0.47) x 1.75(0.06)	6.6(0.26) / 8.1(0.31)	M6 (0.23)	-	5.2kg / 11.5 lb	Strongest upper components in Series. Suitable for repeated measurement and precision measurement.			
MB-Z20	1230N (125kgf)	70 (2.76)	70 (2.76)	76 (2.99)	30 (1.18)	250 (9.84)	-	M20(0.78) x 1.5(0.05)	M20(0.78) / M12(0.47)	M12(0.47) x 1.75(0.06)	6.6(0.26) / 8.1(0.31)	M6 (0.23)	-	5.5kg / 12.1 lb	Strongest upper components in Series. Suitable for repeated measurement and precision measurement.			

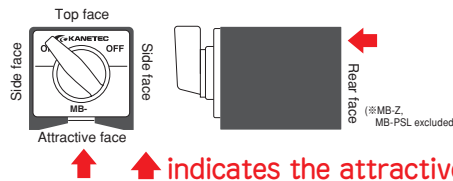
※ The upper fixture, Model DG-6 (mounting hole of  $\phi 4.5/6.6$  mm), for mounting a dial gage is optionally available. ※ The holding power is based on a test piece of SS400, 10 mm thick, ground surface. ※ The magnet part of MB-Z is designed for mounting on a flat surface such as a surface plate, but not on a curved surface. ※ The parts of the magnetic holder base are available individually.

<Names of major components of MB-B>

Parts available individually



※Refer to P71 and P72 for the common models. Note, however, that there may be difference in the main pole mounting thread hole and so on.

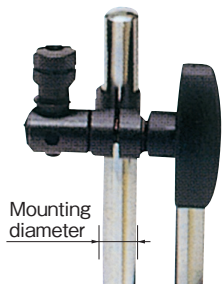


↑ indicates the attractive face.

**Model DG OPTIONAL CLAMP FOR MAGNETIC BASE/HIGH LOCK BASE**

**Measurement variation expanded.**

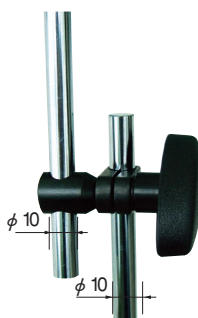
■ Upper components Model DG-6 (Components for mounting dial gage)



**[Application]**  
Optionally sold when  $\phi 4.5$  mm mounting hole is required on MB-B, BV, F2 and K.  
**[Features]**  
● Upper components with  $\phi 4.5/6.6$  mm mounting hole.

MB-B (Common with BV/F2)  
Model **DG-6-B** (Mounting diameter  $\phi 10$ )  
MB-K (Common with W2S)  
Model **DG-6-K** (Mounting diameter  $\phi 12$ )

■ Lower components Model MB-CMF (Components for mounting  $\phi 10$  sub pole)



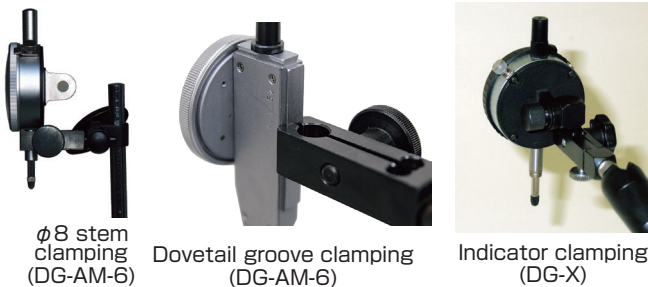
**[Application]**  
An optional unit for mounting one  $\phi 10$  sub pole in addition to the existing  $\phi 10$  sub pole.  
**[Features]**  
● An application range of magnetic bases is expanded such as holding light weight objects by, for example, extending the sub pole.  
※ Depending on measurement conditions, the rigidity may drop. Pay attention to a drop in measurement accuracy.

Applicable models: MB-B, BV, F2 (Sub pole diameter 10 mm)  
Model **MB-CMF1010**

Designed for Magnetic Base and High Lock Base



<An example of usage>

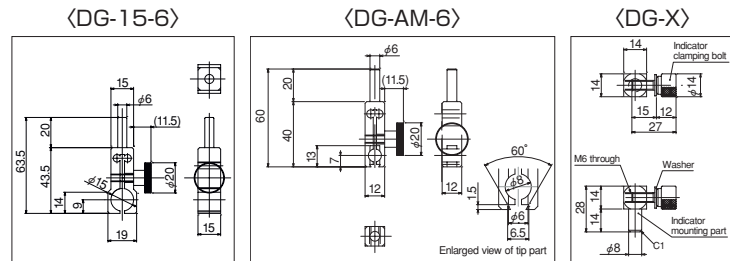


**[Application]**

Mounted on a magnetic base or High Lock Base to secure a dial gage, linear gage, etc.

**[Features]**

- $\phi 6$  shaft to suit the mounting hole of MB Series upper components. (DG-15-6, DG-AM-6)
- A larger diameter dial gage such as a liner gage ( $\phi 15$ ) can be clamped. (DG-15-6)
- $\phi 8$  and  $\phi 6$  holes are provided for securing a dial gage in the dovetail groove. (DG-AM-6)
- $\phi 8$  shaft to suit the tip mounting part of MB-MX and MB-OX to secure the bracket of a dial gage. (DG-X)



Model	Applicable Base	Specification	Mass
DG-15-6	MB-series, MX, OX	$\phi 15$ dial gage (linear gage, etc.)	68g / 0.15 lb
DG-AM-6	MB-series	Dial gage with dovetail groove	49g / 0.11 lb
DG-X	MB-MX, OX	Dial gage with bracket	40g / 0.09 lb

ELECTROMAGNETIC CHUCKS  
CHUCK CONTROLLERS  
PERMANENT MAGNETIC CHUCKS  
PERMANENT ELECTROMAGNETIC CHUCKS  
BLOCKS FOR MC  
VACUUM CHUCKS  
PROMELTA\* SYSTEM  
SINE BAR CHUCKS  
BLOCKS HOLDERS, MINI CHUCKS  
HOLDING TOOLS  
MEASURING TOOL HOLDERS  
MAGNETIC HOLDERS  
MAGNETIC TOOLS

# MEASURING TOOL HOLDERS

## Model MB-MX HIGH LOCK BASE

### Mechanical lock & fine movement adjuster

## Tightening torque + clamp force + fine adjustment function all improved!



#### [Application]

While these bases are used as measuring tool holders like magnetic bases, they can also be used to hold sensors in place.

#### [Features]

- Any posture can be set by tightening a knob to lock every part.
- The clamp system is adjustable steplessly. Turning lightly achieves it.

#### Quick lock mechanism

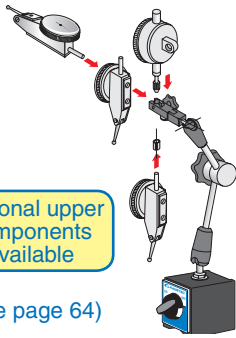
- A wide variety of models, small to large, are available to suit your applications.
- The dial gage mounting part can be adjusted finely.
- The arm can be adjusted freely in angle and direction and provides stable, shake-free positioning.

**Free posture by dial adjustment**



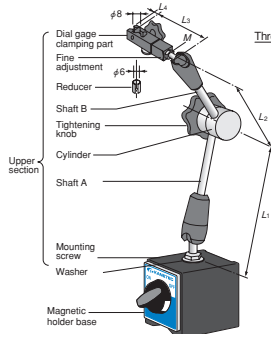
<b>Holding power</b> <b>600N</b>	<b>Holding power</b> <b>800N</b>	<b>Holding power</b> <b>1000N</b>	<b>Holding power</b> <b>1000N</b>
<b>MB-MX13F</b>	<b>MB-MX20F</b>	<b>MB-MX28F</b>	<b>MB-MX40F</b>

## Consistent and highly accurate measurement

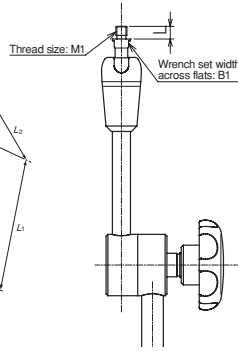


Optional upper components available

(See page 64)



<Names/dimensions>



<Details of part M and dimensions>

Model	M1	B1
<b>MB-MX13F</b>	M6 (Coarse) × L7	6
<b>MB-MX20F</b>		7
<b>MB-MX28F</b>		8
<b>MB-MX40F</b>	M8 (Coarse) × L8	

[mm (in)]

Model	Lock Mechanism	Holding Power	Magnetic Holder Base			Arm					Arm Mounting Tapped Hole	Indicator Clamp		Mass	Feature
			Width	Length	Height	L <sub>1</sub>	L <sub>2</sub>	L <sub>3</sub>	L <sub>4</sub>	M		Stem Hole	Dovetail		
<b>MB-MX13F</b>	Mechanical lock	600N (60kgf)	40 (1.57)	40 (1.57)	40 (1.57)	75 (2.95)	50 (1.96)	64 (2.51)	6.5 (0.25)	M6 (0.23) × 7 (0.28)	M6 (0.23) × 1 (0.03)	φ 8 (0.31) φ 6 (0.23) (When reducer is used)	6.5 (0.25)	0.7kg/1.7 lb	Smallest
<b>MB-MX20F</b>		800N (80kgf)	50 (1.96)	58.5 (2.30)	55 (2.16)	116 (4.56)	75 (2.95)	65 (2.55)						1.4kg/3.1 lb	Small
<b>MB-MX28F</b>		1000N (100kgf)	50 (1.96)	73 (2.87)	160 (6.29)	115 (4.52)	64 (2.51)	M8 (0.31) × 8 (0.31)	2.0kg/4.4 lb	Standard					
<b>MB-MX40F</b>			220 (8.66)	175 (6.88)	66 (2.59)	2.1kg/4.8 lb	Long arm								

\*The holding power is based on a test piece of SS400, 10 mm thick, ground surface.

## Model MB-X HIGH LOCK MINI BASE

### Mechanical lock & fine movement adjuster

## Small and simple, suitable for use in limited space.



#### [Application]

While these bases are used as measuring tool holders like magnetic bases, they can also be used to hold sensors in place.

#### [Features]

- A mechanical lock system that tightens joints in three places by one-step operation.
- The arm can be adjusted freely, which facilitates locating the mounted measuring instrument.
- Models MB-CX-V/PSX-V are equipped with a fine movement adjuster.

[mm (in)]

Model	Lock Mechanism	Holding Power	Magnetic Holder Base			Arm				Arm Mounting Tapped Hole	Indicator Clamp		Mass	Feature
			Width	Length	Height	L <sub>0</sub>	L <sub>1</sub>	L <sub>2</sub>	L <sub>3</sub>		Stem Hole	Dovetail		
<b>MB-CX</b>	Mechanical Type	160N (16kgf)	28 (1.10)	28 (1.10)	28 (1.10)	12 (0.47)	46 (1.81)	46 (1.81)	39 (1.53)	M5 (0.19) × 0.8 (0.03)	φ 6 (0.23) × 2	6.5 (0.25)	0.38kg/0.83 lb	Small, V attractive face
<b>MB-CX-V</b>		300N (30kgf)	30 (1.18)	34 (1.33)	35 (1.37)	14 (0.55)			57 (2.24)				0.5 kg/1.10 lb	Small, V attractive face, fine movement adjuster
<b>MB-PSX</b>		300N (30kgf)	30 (1.18)	34 (1.33)	35 (1.37)	14 (0.55)	39 (1.53)	0.38kg/0.83 lb	Small, magnet switchover					
<b>MB-PSX-V</b>		300N (30kgf)	30 (1.18)	34 (1.33)	35 (1.37)	14 (0.55)	57 (2.24)	0.5 kg/1.10 lb	Small, magnet switchover, fine movement adjuster					

\*The holding power is based on a test piece of SS400, 10 mm thick, ground surface.

ELECTROMAGNETIC CHUCK CONTROLLERS; PERMANENT MAGNETIC CHUCKS; PERMANENT MAGNETIC CHUCKS; BLOCKS FOR MC; VACUUM CHUCKS; PROMELTA\*; SINE BAR CHUCKS; BLOCKS HOLDERS; HOLDING TOOLS; MEASURING TOOL HOLDERS; MAGNETIC HOLDERS; MAGNETIC TOOLS

**Model MB-OX HIGH LOCK BASE**

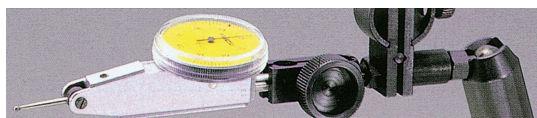
**Hydraulic & fine movement adjuster**

**[Application]**

While these bases are used as measuring tool holders like magnetic bases, they can also be used to hold sensors in place.

**[Features]**

- A hydraulic system that tightens joints in three places by one-step operation.
- The arm can be adjusted freely, which facilitates locating the mounted measuring instrument.
- Equipped with a fine movement adjuster.
- The base is made square to enhance the stability when a dial gage is mounted.



The dial gage is not included.

[mm (in)]

Optional upper components available  
(See page 64)

Model	Lock Mechanism	Holding Power	Magnetic Holder Base			Arm			Arm Mounting Tapped Hole	Indicator Clamp		Mass	Accessory
			Width	Length	Height	L <sub>1</sub>	L <sub>2</sub>	L <sub>3</sub>		Stem Hole	Dovetail		
MB-OX	Hydraulic type	1000N (100kgf)	50 (1.96)	73 (2.87)	55 (2.16)	140 (5.51)	110 (4.33)	81 (3.18)	M8 (0.31) × 1.25 (0.04)	φ8 (0.31) φ6 (0.23)	6.5 (0.25)	2.0kg / 4.4 lb	※ Replenish oil

※ The holding power is based on a test piece of SS400, 10 mm thick, ground surface. ※ Recommended replenish oil: Idemitsu Daphne Super Multi Oil or equivalent  
※ The fixing force may change when pressure changes due to ambient temperature.



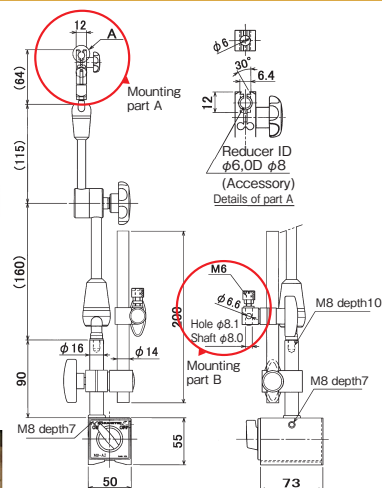
**MB-OX**  
Holding power  
**1000N**

ELECTROMAGNETIC CHUCKS  
CHUCK CONTROLLERS  
PERMANENT ELECTROMAGNETIC CHUCKS  
PERMANENT ELECTROMAGNETIC CHUCKS

**Model MB-A2 TWO ARMS TYPE MAGNETIC BASE**



**MB-A2**  
Holding power  
**1000N**



**[Application]**

These magnetic bases are widely used as measuring tool holders when measuring dimensions of machined workpieces (detecting errors and deviation) using a dial indicator on machine tools or iron surface plate for measurement by comparison. They can also be used to hold the sensors in place.

**[Features]**

- Since one magnetic base is equipped with two arms, no extra space is required for 2-point simultaneous measurement in limited space on lathes, etc.
- The arms have a different locking mechanism to allow them to be used differently depending on measurement conditions.
- The layout of arms can be changed by utilization of the mounting hole provided on the side face of the base.

[mm (in)]

Model	Holding Power	Magnetic Holder Base			Indicator Clamp A		Indicator Clamp B		Mass
		Width	Length	Height	Stem Hole	Dovetail	Stem Hole	Indicator Clamp Screw	
MB-A2	1000N (100kgf)	50 (1.96)	73 (2.87)	55 (2.16)	φ6 (0.23) ※ φ8 (0.31)	6.5 (0.25)	φ6 (0.23) φ8 (0.31)	M6 (0.23)	2.7kg / 5.9 lb

※ When reducer is used.

BLOCKS FOR MC  
VACUUM CHUCKS  
PROMELTA\* SYSTEM  
SINE BAR CHUCKS  
BLOCKS HOLDERS, MINI CHUCKS

**Model GB-MX GRANITE BASE**

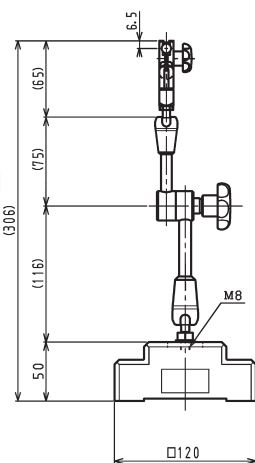
**Mechanical lock & fine movement adjuster**

**Measurement on precision granite surface plate! Highly reliable flexible arm!**

Free posture by dial adjustment



**GB-MX20F-A**



**[Application]**

Used for precise measurement on a precision granite surface plate.

**[Features]**

- Granite, unaffected by aged deterioration and rust, is used for the base. There is no change in accuracy and it is easy to maintain.
- The flatness of the base bottom has been precisely finished to better than 2 μm. They can slide smoothly on the granite surface plate to enable measurement by moving the gage.
- The base is made square to enhance the stability when a dial gage is mounted.
- The mechanical lock type that has proven reliability is employed for the arm (MB-MX-F). Any posture can be set by one-step tightening.
- These bases come with a dedicated storage box.

[mm (in)]

Model	Base Size	Mass
GB-MX20F-A	□120 (4.72) × 50 (1.96)	Approx. 2.7kg / 5.95 lb

HOLDING TOOLS  
MEASURING TOOL HOLDERS  
MAGNETIC HOLDERS  
MAGNETIC TOOLS

# MEASURING TOOL HOLDERS

## Model SMB MAGNETIC BASE FOR SENSOR FIXING

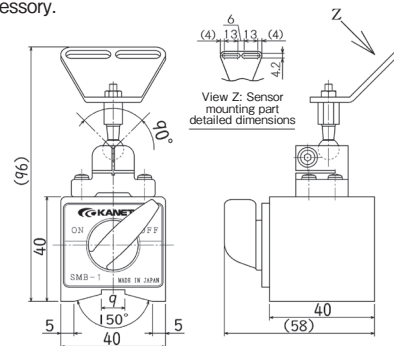


### [Application]

Suitable as a base for securing various sensors.

### [Features]

- The ON/OFF selectable magnetic holder base and three-dimensional bracket facilitate mounting/demounting and positional adjustment.
- These bases are compact but produce a powerful magnetic force.
- A mounting plate where various sensors can be mounted is included as a standard accessory.



Model	Holding Power	Magnetic Holder Base			Mass	Remark
		Width	Length	Height		
SMB-1	600N(60kgf)	40 (1.57)	40 (1.57)	40 (1.57)	0.43kg/0.94lb	
SMB-1M	600N(60kgf)	40 (1.57)	40 (1.57)	40 (1.57)	0.45kg/0.99lb	Reflector provided

※The holding power is based on a test piece of SS400, 10 mm thick, ground surface.

## Model MB-BRB BORER BASE\*

### Hardness of V-face increased for longer life!

Mounting bracket as standard accessory

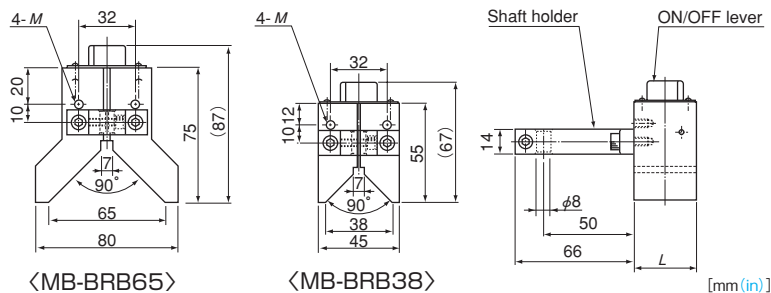


### [Application]

Useful for measuring the projected amount of a cutter mounted on the arbor of a boring machine with a dial gage to locate the cutter precisely.

### [Features]

- The attractive face (V-face) has been hardened and therefore is less likely to be scratched and highly wear resistant.
- The squareness of the face to secure the dial gage bracket to the V-face is within 5 μm.
- The dial gage mounting bracket for the φ8 stem comes as a standard accessory. The base can be put in use immediately after purchase.
- The dial gage mounting bracket height is selectable. (2 stages)



Model	Dimensions			M	Holding Part Dimensions		Max. Holding Power	Max. Dia. to Hold	Mass
	Width	Length	Height		Width	Angle			
MB-BRB38	45 (1.77)	35 (1.37)	55 (2.16)	M5 (0.19) thread, depth 8 (0.31)	38 (1.49)	90°	137N (14kgf)	φ45 (1.77)	0.6kg/0.13 lb
MB-BRB65	80 (3.15)	40 (1.57)	75 (2.95)		65 (2.55)		196N (20kgf)	φ80 (3.15)	1.1kg/2.4 lb

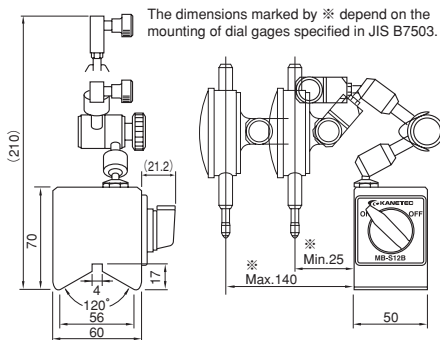
The max. holding power is based on a test piece of φ38 round steel bar (SS400, Ra = 1.6).

## Model MB-S BORER BASE\*



Holding Power 250N on φ70

MB-S12B



### [Application]

Useful for measuring the projected amount of a cutter mounted on the arbor of a boring machine with a dial gage to locate the cutter precisely.

### [Features]

- The measuring tool holding arm can be freely locked by one-step tightening, which makes this base suitable for any length between its mounting position and the tip of the cutter.
- Since a magnetic force is used for holding, the dial gage is held firmly even if it is mounted inclined. Further, the magnetic force can be turned on and off for easy mounting and demounting.
- The dial gage is mounted by tightening the bracket with an M6 bolt.

Model	Holding Power	Arbor Diameter	Holding Part Dimensions		Mass
			Width	Angle	
MB-S12B	250N (25kgf) on φ70 (2.75)	φ15 (0.59) - 120 (4.72)	56 (2.20)	120°	1.3kg/2.8 lb

ELECTROMAGNETIC CHUCKS | PERMANENT MAGNETIC CHUCKS | PERMANENT MAGNETIC CHUCKS | PERMANENT MAGNETIC CHUCKS | BLOCKS FOR MC | VACUUM CHUCKS | PROMELTA\* | SINE BAR CHUCKS | BLOCKS HOLDERS | HOLDING TOOLS | MEASURING TOOL HOLDERS | MAGNETIC HOLDERS | MAGNETIC TOOLS

**Model ME-LED MAGNETIC LED LIGHT STAND**

**Original light weight & stylish LED stand!**

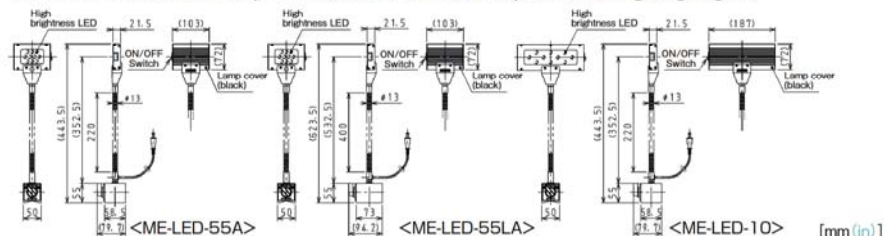


**[Application]**

Used for area lighting over a work table or machine tool. Also usable as a table light on a steel desk.

**[Features]**

- The high brightness LED 10 lights are used which consume as little electricity as 5W/10W.
- The LED lighting part is of one-piece special construction; light weight and compact.
- All models use only 21.5-mm thin lighting, requiring no wide space for mounting.
- The strong magnetic force allows these stands to be mounted not only on a horizontal surface, but on an inclined surface easily. The flexible tube offers freely selectable lighting angles.



Model	Type	Holding Power	Height	High Bright. LED	Luminous Flux	Power Source	Power Consumption	Cord Length	Mass
ME-LED-55A	Standard type	800N ( 80kgf)	443.5 (17.4)	10 lights	Approx. 400lm	100 VAC	Approx. 5W	1.6m (62.9)	1.45kg / 3.19 lb
ME-LED-55LA	Tall type	1000N (100kgf)	623.5 (24.5)		Approx. 800lm				1.83kg / 4.03 lb
ME-LED-10	Bigger light type	800N ( 80kgf)	443.5 (17.4)		Approx. 10W				1.63kg / 3.59 lb

※ The LED part cannot be replaced or repaired. ※ The power plug is of tracking resistance type.

**Model ME MAGNETIC LED LAMP STAND**

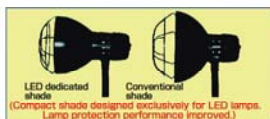
**Lamp stand dedicated to compact bulb type LED lamps!**

**[Application]**

Suitable for spotlighting in assembling/inspection work or machining by machine tools.

**[Features]**

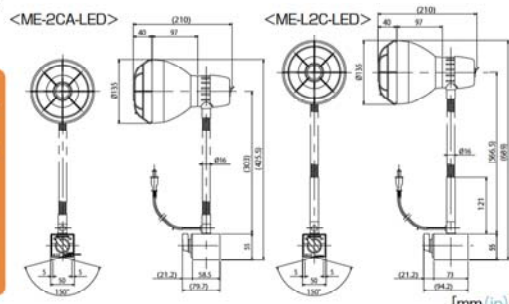
- Designed exclusively for bulb type LED lamps. The lamp configuration is compact in comparison with conventional lamp stands. The bulb protection performance has also been improved.
- The bulb type fluorescent lamp can be used in addition to the bulb type LED lamp.
- The strong magnetic force allows these stands to be mounted not only on a horizontal surface, but on an inclined surface easily. The flexible tube offers freely selectable lighting angles.



**Bulb type LED lamp (ME-2CA/L2C-LED-SH) also available.**

**Applicable lamps (Not included)**  
In addition to bulb type LED lamps, bulb type fluorescent lamps can also be used!

※ The incandescent lamps cannot be used!

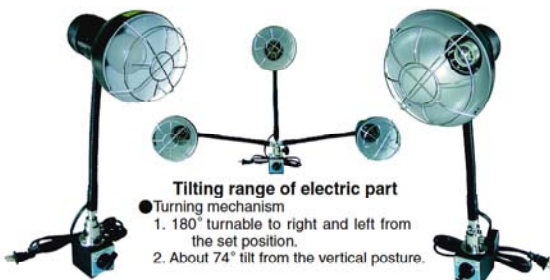


Model	Type	Holding Power	Height	Cord Length	Bulb Capacity	Applicable Bulb	Mass
ME-2CA-LED	Standard type	800N ( 80kgf)	426 (16.7)	1.6m (62.9)	100 VAC 200 W max.	Bulb type LED or bulb type fluorescent lamp (Base metal spec. E26)	1.5kg / 3.3 lb
ME-L2C-LED	Tall type	1000N (100kgf)	689 (27.1)				2.5kg / 5.5 lb

※ The bulb type LED lamps are not included. ※ The incandescent lamps cannot be used. ※ The power plug is of tracking resistance type. ※ The lampshade for ME-2CA-LED/L2C-LED is dedicated to the LED. It cannot be mounted on the conventional ME-2CA/L2C (lamp stand of incandescent lamp type). ※ ME-2CA-LED-SH/ME-L2C-LED-SH come with a Toshiba bulb type LED lamp (equivalent to LDA4N-G/40W, power consumption 4.4 W). (Available individually)

**Model ME-F MAGNETIC LAMP STAND FOR WIDE AREA**

**Turning mechanism gives wider lighting area!**



**Tilting range of electric part**

- Turning mechanism
- 1. 180° turnable to right and left from the set position.
- 2. About 74° tilt from the vertical posture.

ME-F2-LED (LED type)

ME-F2 (Incandescent lamp type)

※ The bulb is not included.

※ The bulb is not included.

**[Application]**

Suitable for spotlighting in assembling/inspection work or machining by machine tools.

**[Features]**

- The employment of a turning mechanism and flexible tube enables a wide range of angle adjustment after positioning and provides suitable lighting angles as desired.
- The strong magnetic force allows these stands to be mounted not only on a horizontal surface, but on an inclined surface easily.
- The protective guard protects the bulb from breakage when the stand falls.
- The employment of an oil-resistant power cord allows these stands to be used on various work sites.

Model	Type	Holding power	Height	Cord Length	Bulb Capacity	Applicable Bulb	Mass
ME-F2	Incandescent lamp type	800N (80kgf)	493 (19.4)	1.6m (62.9)	100 VAC, 100 W max. 100 VAC, 20 W max.	Incandescent lamp LED lamp/Bulb type fluorescent lamp	1.9kg / 4.18 lb
ME-F2-LED	LED type		477 (18.7)				

※ The bulb is not included. ※ The LED lamp alone is available. (LDA4N-G/40W or equivalent, power consumption 4.4 W)  
 ※ The holding power is based on a test piece of SS400, 10 mm thick, ground surface.  
 ※ The power plug is of tracking resistance type.

For dimensions, see page 70.

ELECTROMAGNETIC CHUCKS  
 CHUCK CONTROLLERS  
 PERMANENT ELECTROMAGNETIC CHUCKS  
 PERMANENT ELECTROMAGNETIC CHUCKS  
 BLOCKS FOR MIC  
 VACUUM CHUCKS  
 PROMELTA\* SYSTEM  
 SINE BAR CHUCKS  
 BLOCKS, HOLDERS, MINI CHUCKS  
 HOLDING TOOLS  
 MEASURING TOOL HOLDERS  
 MAGNETIC HOLDERS  
 MAGNETIC TOOLS

# MEASURING TOOL HOLDERS

## Model ME-BW WATERPROOF LED LIGHT STAND

Light part waterproofed

Parts available individually

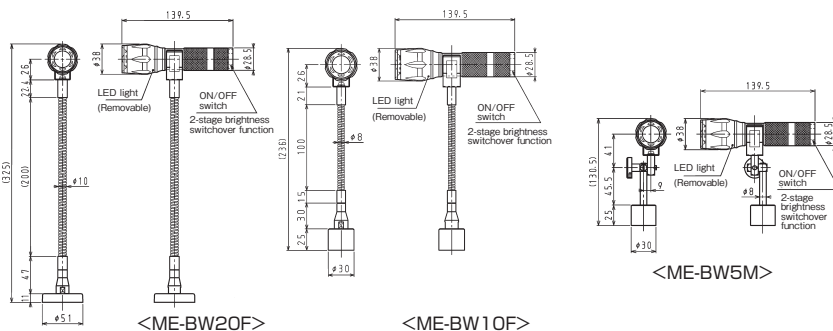
### LED light illuminates a target place brightly!

[Application]

Recommended not only for field work but also for various situations such as precision machining, inspection, spotlighting, DIY work and outdoor.

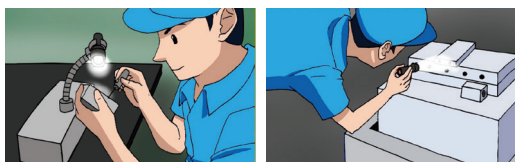
[Features]

- The high brightness LED is equipped with a 2-stage brightness switchover function, which allows selection of brightness according to situations.
- The flexible tube type allows the lighting direction to be set as desired. The mechanical lock type is compact and can be locked quickly for use in a limited space.
- The LED light can be removed from the holder and carried for DIY work and during night.

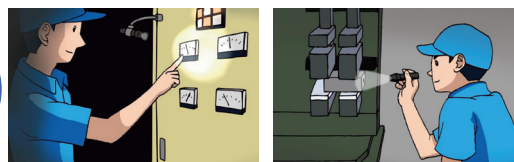


### Useful in various scenes!

Assembly/inspection



Work in dark places



DIY/outdoor



In emergency



[mm (in)]

Model	Type	Holding Power	Height	LED Light					Mass
				LED	Illuminance	Battery	Battery Life	Waterproof level	
ME-BW10F	Standard type	150N (15kgf)	236 (9.29)	High brightness LED 1 pc used	Approx. 2000 lx ※1	AAA battery × 3 pcs ※2	Continuous on Approx. 5 hours	Equivalent to IP67 ※3	0.37kg/0.81 lb
ME-BW20F	Long type	100N (10kgf)	325 (12.7)						0.4kg/0.88 lb
ME-BW5M	Mechanical lock type	150N (15kgf)	130.5 (5.13)						0.3kg/0.80 lb

※1 Initial value under the condition of distance 500 mm, new alkaline battery used. ※2 The battery is not included.

※3 A level at which no dust enters and no water enters when immersed in water for 30 minutes. Waterproofed is the light part only.

## Model ME OUTDOOR TYPE MAGNETIC LAMP STAND

[Application]

Most suitable for area lighting during outdoor work. Small and compact, but the strong magnetic holding power enables this stand to be mounted not only on a vertical surface, but on an inclined and vertical surfaces easily.

[Features]

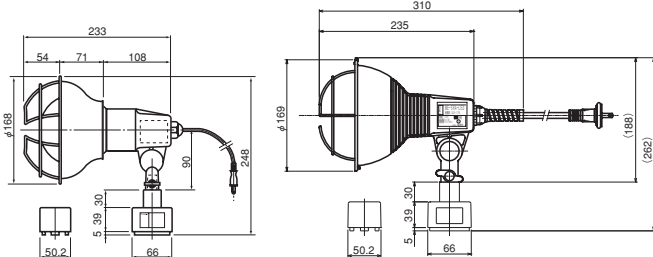
- The stand can be installed in any place, removed and relocated.
- The reflective cover is of 360° drain construction that does not allow deposition of water in any direction. (LED type)
- With the holding position remaining unchanged, only the lighting direction can be changed as desired.
- The protective guard reduces a risk of breakage if the stand falls.
- The work lamp is of highly safe double insulation construction requiring no grounding. (LED type)

[mm (in)]



<ME-5RA>

<ME-5RA-LED>



Model	Holding Power	Magnet ON/OFF	Height	Cord Length	Bulb Capacity	Accessory Bulb	Mass
ME-5RA	1000N (100kgf)	Not provided	248 (9.76)	5m (196.8)	100VAC 200W	Provided	2kg/4.4 lb
ME-5RA-LED	1000N (100kgf)	Not provided	262 (10.3)	5m (196.8)	100VAC 20W	Not provided	2.4kg/5.29 lb

※ The holding power is based on a test piece of SS400, 10 mm thick, ground surface.

※ The power plug is of tracking resistance type.

※ ME-5RA comes with HATAYA Model RS-200WH (RF110V180WH) base 26.

### LED bulb dedicated to ME-5RA-LED

Model	Bulb Capacity	LED Life	Luminous Flux	Beam Angle	Mass
ME-5RA-LED Exclusive LED bulb	100 VAC 200 W	Approx. 40,000hours	2400lm	60°	0.315kg /0.694 lb

※ The LED bulb included with ME-5RA-LED is a dedicated bulb. When you require LED bulbs, please contact the nearest dealer or our sales office.

Model **ME** MAGNETIC LAMP STAND

Regular lamp stand! ME Series!



[Application]

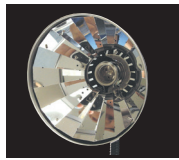
The magnetic lamp stands allow the magnet to be turned on and off quickly, and thus can easily be installed in any place, removed and relocated. These stands are most suitable for lighting work areas on work tables or machine tools.

Small and compact, but the strong magnetic holding power enables this stand to be installed not only on a horizontal surface, but on an inclined surface easily. The flexible tube offers freely selectable lighting angles.

(ME-2CA-R)

- Illuminance tripled and heat generation reduced 50%. Great power saving.
- Problems associated with incandescent lamps having good color rendering\*1 have been resolved.

\*1 Color rendering ... A level of easiness of reading vernier scales and fine articles.



Comparison of illuminance when the special reflective plate is used and not used (LUX)

Bulb	Reflective Plate Used	Reflective Plate Not Used
40W	850	300
60W	1300	420
100W	2100	640

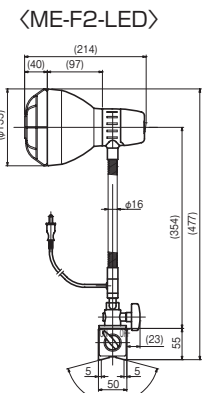
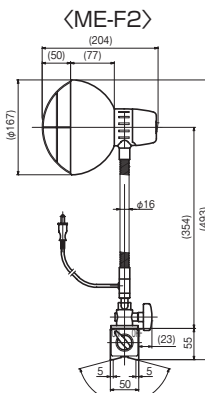
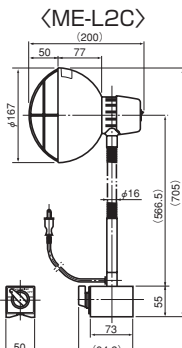
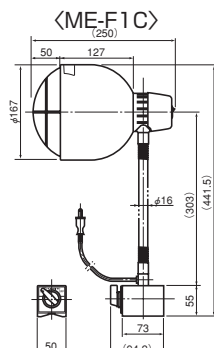
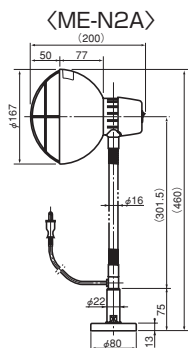
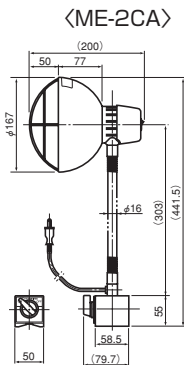
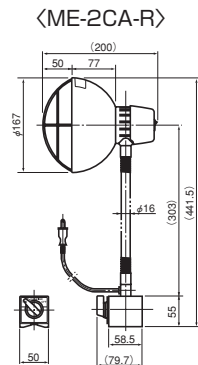
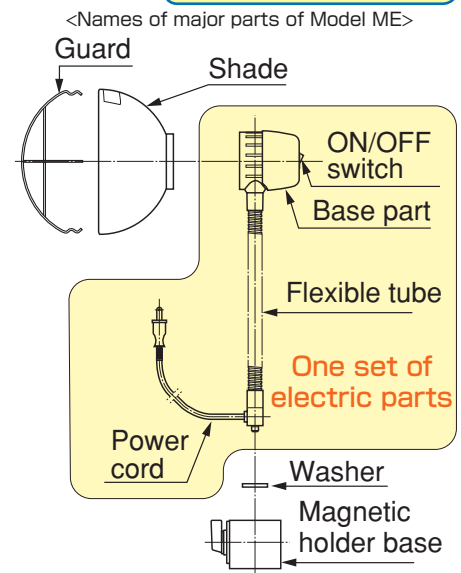
Model	Type	Holding Power	Height	Cord Length	Bulb Capacity	Mass
ME-2CA	Standard type	800N ( 80kgf)	440 (17.3)	1.6m (62.9)	100 VAC Upper limit 100W, optimum 60W	1.6kg/3.5 lb
ME-2CA-R	Reflective plate type	800N ( 80kgf)	440 (17.3)		100 VAC Upper limit 100W, optimum 40W	1.6kg/3.5 lb
ME-N2A	Simple type	300N ( 30kgf)	460 (18.1)	1.6m (62.9)	100 VAC Upper limit 100W, optimum 60W	1.2kg/2.6 lb
ME-L2C	Tall type	1000N (100kgf)	704 (27.7)		100 VAC Upper limit 100W, optimum 60W	2.2kg/4.8 lb
ME-F1C	Fluorescent lamp type	1000N (100kgf)	440 (17.3)			2.0kg/4.4 lb

※When using a stand with a 100W incandescent lamp for long hours, rating-related problems will not arise, but caution must be taken against overheating when handling it. ※Depending on the dimensions of bulb type fluorescent lamps, they may be used on ME-2CA. ※The holding power is based on a test piece of SS400, 10 mm thick, ground surface. ※The power plug is of tracking resistance type.

[Features]

- While the installation position is fixed by the attractive face, the lighting direction can be changed as desired.
- The protective guard protects the bulb from breakage if the stand falls.
- The employment of an oil-resistant power cord allows these stands to be used on various work sites.

Parts available individually



※The bulb is not included. Use a bulb of base E26.



Precautions for use

- A lamp to use must be of the correct rating. The use of a lamp exceeding the rating will cause injury or accident due to heat.

ELECTROMAGNETIC CHUCKS  
CHUCK  
CONTROLLERS  
PERMANENT ELECTROMAGNETIC CHUCKS  
MAGNETIC CHUCKS  
BLOCKS FOR MC  
VACUUM CHUCKS  
PROMELTA\* SYSTEM  
SINE BAR CHUCKS  
BLOCKS HOLDERS, MINI CHUCKS  
HOLDING TOOLS  
MEASURING TOOL HOLDERS  
MAGNETIC HOLDERS  
MAGNETIC TOOLS

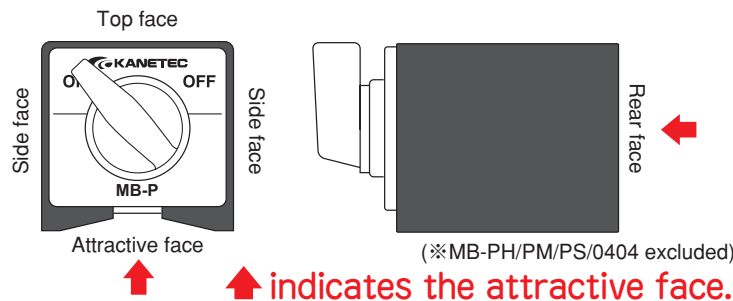


# MEASURING TOOL HOLDERS

## Model MB-P/MB MAGNETIC HOLDER BASE

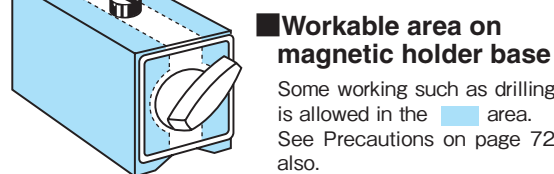


※If a plate is to be mounted on the top face, be sure to use a nonmagnetic material (e.g. aluminum, SUS304, brass plate). If a magnetic material such as iron is mounted on the top face, the holding power will drop significantly.



**[Application]**  
Used as magnetic holders of magnetic force ON/OFF type. Available in a wide range of sizes from minimum and medium to large.  
Useful as a base for temporarily mounted legs of equipment, sensors and lasers by mounting a jig using tapped holes or by some additional machining.

- [Features]**
- Compact, yet the base generates a strong magnetic force.
  - The attractive face is either of V-groove mechanism or [□] type for attaching on a curved surface according to applications. The face opposite to the ON/OFF switch face is also attractive. (MB-PH, MB-PM, MB-PS and MB-0404 excluded)
  - Model MB-PRW is waterproofed and Model MB-0404 is drip-proofed and oil-proofed.
  - Although tapped holes are provided, some additional working is possible as shown.



### Workable area on magnetic holder base

Some working such as drilling is allowed in the  area. See Precautions on page 72 also.

Model	Holding Power	Dimensions			Tapped Hole	Attractive Face Shape	Rear Face Attraction	Mass
		Width	Length	Height				
MB-PB	800N ( 80kgf)	50 (1.96)	58.5 (2.30)	55 (2.16)	M 8 (0.31) × 1.25 (0.04), depth 7 (0.27)		○	1.0kg/2.2 lb
MB-PR	1000N (100kgf)		73 (2.87)		2-M 8 (0.31) × 1.25 (0.04), depth 7 (0.27)			1.3kg/2.8 lb
MB-PRW	600N ( 60kgf)		117 (4.60)		M10 (0.39) × 1.25 (0.04), depth 7 (0.27)			1.2kg/2.6 lb
MB-PL	1300N (130kgf)	70 (2.75)	70 (2.75)	M12 (0.47) × 1.75 (0.06), depth 11 (0.43)	2.0kg/4.4 lb			
MB-PH	1250N (125kgf)	40 (1.57)	40 (1.57)	M6 (0.23) ×, depth 6 (0.23)	3.0kg/6.6 lb			
MB-PM	600N ( 60kgf)	30 (1.18)	34 (1.33)	M5 (0.19) ×, depth 4 (0.15)	0.5kg/1.1 lb			
MB-PS	300N ( 30kgf)	50 (1.96)	120 (4.72)	M 8 (0.31) × 1.25 (0.04), depth 7 (0.27)	0.2kg/0.4 lb			
MB-PG	1500N (150kgf)	40 (1.57)	40 (1.57)	M6 (0.23), depth 6 (0.23) (center tapped hole) 4—M3 (0.11), depth 6 (0.23) (pitch 30 (1.18)) (Tapped holes on periphery)	1.9kg/4.1 lb			
MB-0404	200N (20kgf)				×	0.4kg/0.8 lb		

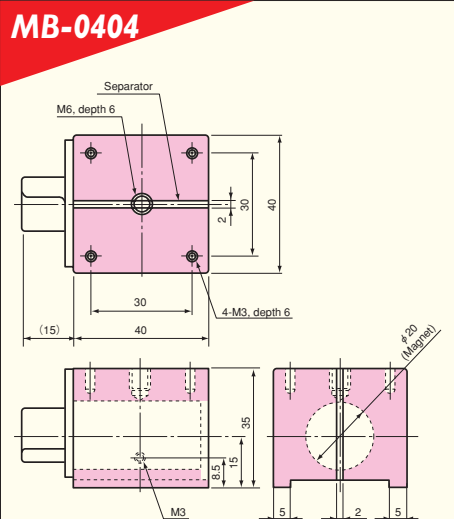
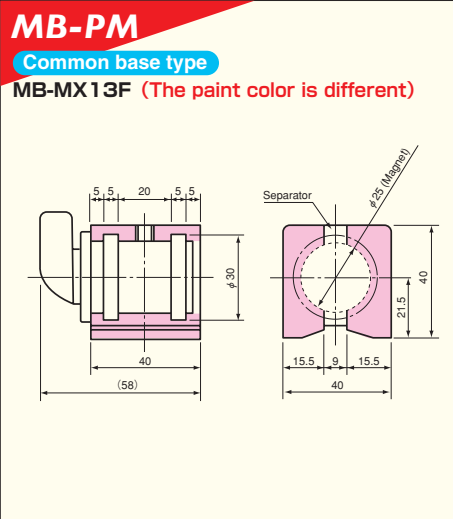
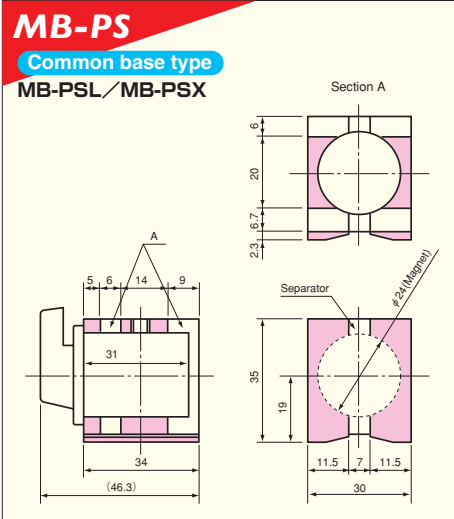
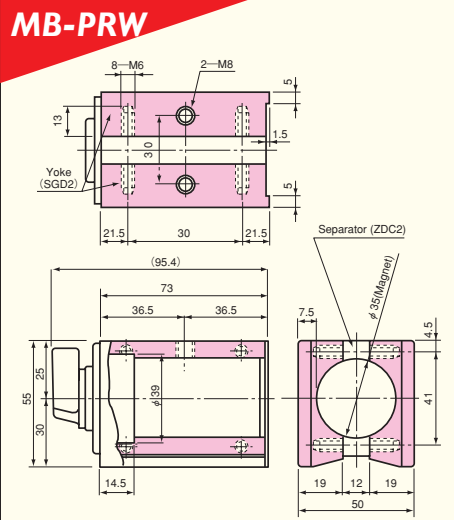
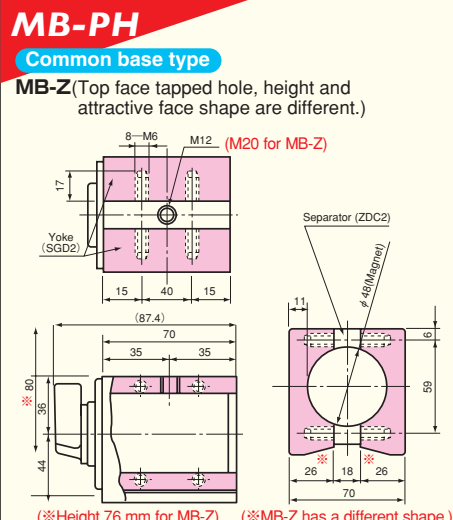
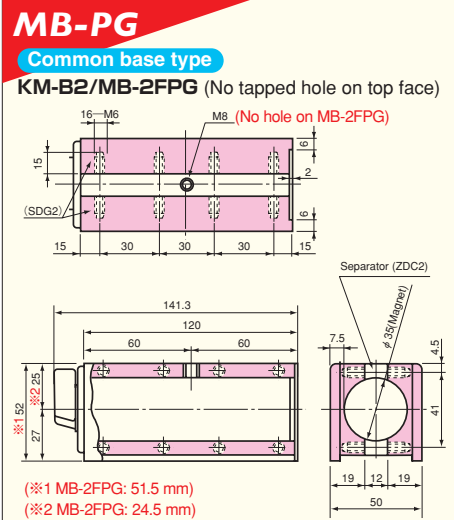
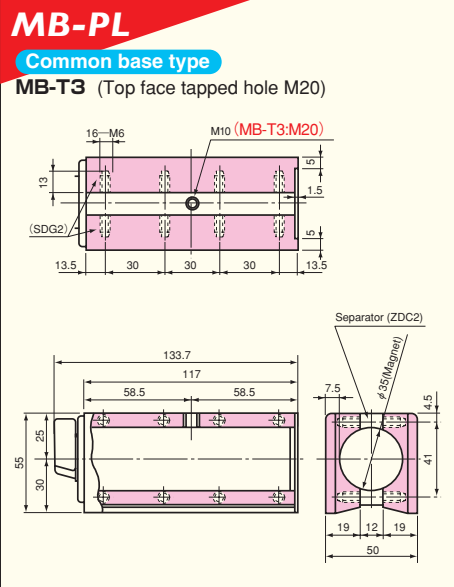
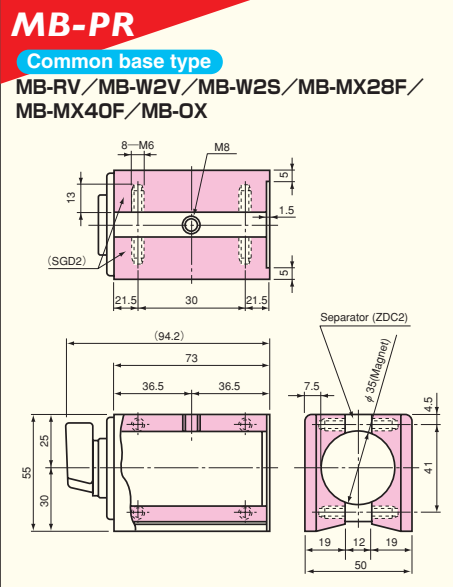
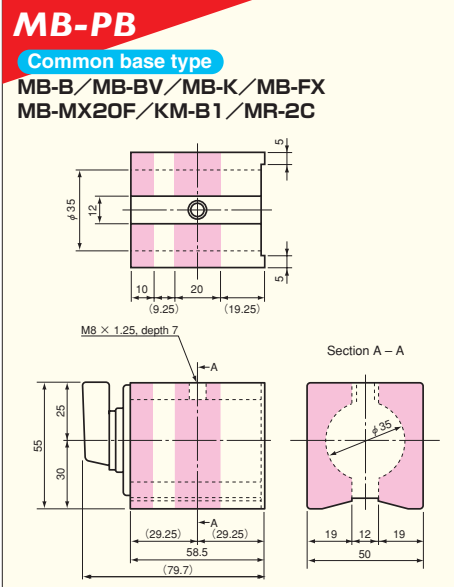
※The holding power is based on a test piece of SS400, 10 mm thick, ground surface. ※MB-PRW is of waterproof construction.  
 ※MB-PB, PR and PG may be equipped with a grip (optional) of KM-B (page 74). ※If a magnetic plate is attracted on the top face, the holding power will drop significantly.  
 ※The body of Model MB-P is painted and the body of Model MB-0404 is blackened.

ELECTROMAGNETIC CHUCK CONTROLLERS - MAGNETIC CHUCKS - ELECTROMAGNETIC CHUCKS - PERMANENT CHUCKS - PERMANENT CHUCKS - BLOCKS FOR MC - VACUUM CHUCKS - PROMELTA\* - SINE BAR CHUCKS - BLOCKS HOLDERS - MINICHUCKS - HOLDING TOOLS - MEASURING TOOL HOLDERS - MAGNETIC HOLDERS - MAGNETIC TOOLS

Information about additional working on magnetic holder bases

※Precautions

- 1) The  areas shown in the following figures can be worked on additionally.
- 2) If areas (magnet, separator, main unit structural part) other than the  areas are worked on, the ON-OFF operation may be disabled or the main unit may be damaged or disabled in the worst case.
- 3) Additional working may cause a drop in the holding power and strength. Prior to using the base after additional working, always check its performance.
- 4) If a plate is to be mounted on the top face (a tapped hole provided), be sure to use a nonmagnetic material (e.g. aluminum, SUS304, brass plate). If a magnetic material such as iron is mounted on the top face, the holding power will drop significantly.



ELECTROMAGNETIC CHUCKS  
CHUCK  
PERMANENT ELECTROMAGNETIC CHUCKS  
PERMANENT ELECTROMAGNETIC CHUCKS  
BLOCKS FOR MC  
VACUUM CHUCKS  
PROMELTA\* SYSTEM  
SINE BAR CHUCKS  
BLOCKS HOLDERS, MINI CHUCKS  
HOLDING TOOLS  
MEASURING TOOL HOLDERS  
MAGNETIC HOLDERS  
MAGNETIC TOOLS

# MEASURING TOOL HOLDERS

## Model MB-L THIN PERMANENT MAGNETIC HOLDER BASE

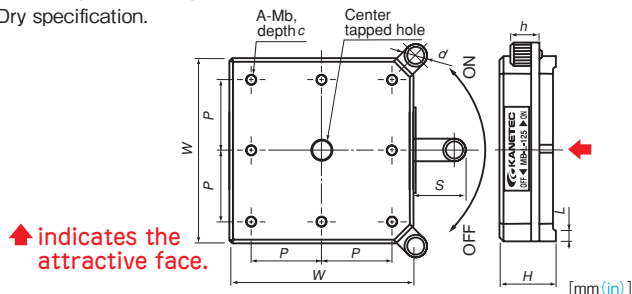


### [Application]

Suitable as a base for securing jigs and measuring equipment on an iron surface plate or machine table and as a temporary base for laser and optical measurement. Since these bases are of switchover type permanent magnetic bases, they are recommended for applications that require fine adjustment and accuracy.

### [Features]

- Simple ON/OFF operation with the lever.
- Thin and powerful magnetic force.
- Dry specification.



An example of usage

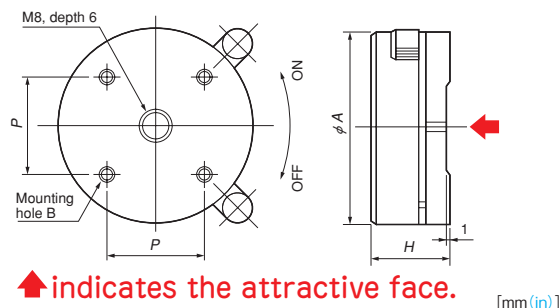
Mounting base of precision equipment



Model	Holding Power	Dimensions			Center Tapped Hole	Peripheral Tapped Hole				Operating Lever			Mass
		W	H	L		P	A	b	c	S	d	h	
MB-L-45	65N (6.5kgf)	45 (1.77)	20 (0.78)	2.5 (0.09)	M8 (0.31) × P1.25 (0.04, depth 8 (0.31))	25 (0.98)	4	M4 (0.15) × P0.7 (0.02)	6 (0.23)	15 (0.59)	9 (0.35)	0.3kg / 0.66 lb	
MB-L-65	200N (20kgf)	65 (2.55)	20 (0.78)	4 (0.15)	M16 (0.23) × P1.0 (0.03, depth 8 (0.31))	50 (1.96)	8	M6 (0.23) × P1.0 (0.03)	8 (0.31)	19 (0.74)	φ8 (0.31)	10 (0.39)	0.6kg / 1.32 lb
MB-L-90	250N (25kgf)	90 (3.54)	30 (1.18)	6 (0.23)						24 (0.94)			3.3kg / 7.27 lb
MB-L-125	800N (80kgf)	125 (4.92)	30 (1.18)	6 (0.23)						36 (1.41)		3.3kg / 7.27 lb	

\*The holding power is based on a test piece of SS400, 25 mm thick, ground surface.  
 \*Slight additional work such as making a tapped hole on the top face is allowed. For details, see below.

## Model MB-L-C THIN PERMANENT MAGNETIC HOLDER BASE



### [Application]

Suitable as a base for securing jigs and measuring equipment on an iron surface plate or machine table and as a temporary base for laser and optical measurement. Since these bases are of switchover type permanent magnetic bases, they are recommended for applications that require fine adjustment and accuracy.

### [Features]

- Simple ON/OFF operation with the lever.
- Thin and powerful magnetic force.
- Dry specification.

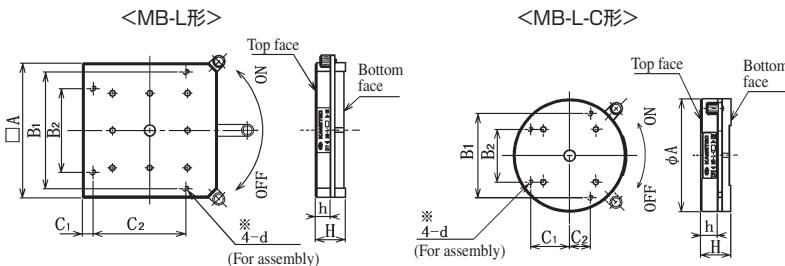
Model	Holding Power	Dimensions		Mounting Hole		Mass
		A	H	P	B	
MB-L-C50	59N (6kgf)	50 (1.96)	20 (0.78)	25 (0.98)	M4 (0.15) Depth 6 (0.23)	0.30kg / 0.6 lb
MB-L-C75	196N (20kgf)	75 (2.95)	20 (0.78)	35 (1.37)		0.68kg / 1.5 lb

\*The holding power is based on a test piece of SS400, 25 mm thick, ground surface.  
 \*Slight additional work such as making a tapped hole on the top face is allowed. For details, see below.

## Information about additional working on thin permanent magnetic holder bases

### Additional work on the top face:

- Slight additional work such as making a tapped hole on the top face is allowed. Additional work is allowed in places that do not interfere with the top face tapped hole and the places marked by ※ (threads for assembly). For the allowed depth of additional work, see the table.
- Note that such additional work as making many tapped holes or slots may affect the holding power and product rigidity. When such work is required, please contact us.
- For additional work on the bottom face, please contact us.



Model	A	B <sub>1</sub>	B <sub>2</sub>	C <sub>1</sub>	C <sub>2</sub>	d	H	h	Allowed Additional Work Depth
MB-L-45	45 (1.77)	37 (1.45)	33 (1.29)	5 (0.19)	24.5 (0.96)	M3 (0.11)	20 (0.78)	12 (0.47)	9 (0.35)
MB-L-65	65 (2.55)	56 (2.20)	35 (1.37)	5.5 (0.21)	41.5 (1.63)	M3 (0.11)	20 (0.78)	11 (0.43)	8 (0.31)
MB-L-90	90 (3.54)	78 (3.07)	56 (2.20)	7 (0.27)	62 (2.44)	M4 (0.15)	20 (0.78)	10 (0.39)	7 (0.27)
MB-L-125	125 (4.92)	104 (4.09)	84 (3.30)	10 (0.39)	85 (3.34)	M5 (0.19)	30 (1.18)	14 (0.55)	11 (0.43)
MB-L-C50	50 (1.96)	37 (1.45)	25 (0.98)	17 (0.66)	6 (0.23)	M3 (0.11)	20 (0.78)	12 (0.47)	9 (0.35)
MB-L-C75	75 (2.95)	56 (2.20)	35 (1.37)	26 (1.02)	14 (0.55)	M3 (0.11)	20 (0.78)	11 (0.43)	8 (0.31)

**Model KM-B RULER HOLDER**

Holding power  
**1500N**

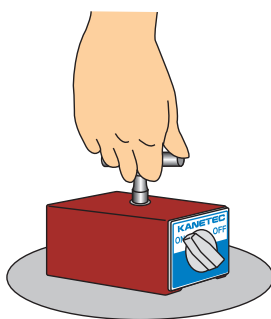


KM-B2



KM-B1

Parts available individually



Holding power  
**800N**

**[Application]**

Useful for a wide variety of operations; holding down a large ruler on a floor or wall during machining of iron plates, etc. and moving workpieces after cutting or attracting and removing chips.

※If used at high temperature, the holding power may drop.  
※For transporting heavy workpieces, Model HL-15 (page 97) having a reinforced grip to withstand the weight is available.

**[Features]**

- Attachable and detachable easily with the ON/OFF lever.
- KM-B1 has the attractive face of V-groove and KM-B2 has the attractive face of inverted concave shape, which can be selected according to purposes of use.

[mm (in)]

Model	Holding Power	Magnetic Holder Base			Mounting Tapped Hole	Mass
		Width	Length	Height		
KM-B1	800N (80kgf)	50 (1.96)	58.5 (2.30)	55 (2.16)	M 8 (0.31) × 1.25 (0.04), Depth 7 (0.27)	1.1kg/2.4 lb
KM-B2	1500N (150kgf)		120 (4.72)	52 (2.04)		1.9kg/4.2 lb

※The holding power is based on a test piece of SS400, 10 mm thick, ground surface.

**Model MB-2FPG DOUBLE-FACE HOLDING MAGNETIC HOLDER BASE**

**A wide range of applications such as holding workpieces during welding and during precision measurement!**



MB-2FPG

**[Application]**

Since workpieces can be held on the top face and bottom face simultaneously, this holder is suitable for holding workpieces on an iron surface plate.

**[Features]**

- The faces have been finished precisely to make this holder usable for measurement purpose also.
- The attractive face has a [□] shape designed specially for flat surface attraction such as on an iron surface plate.

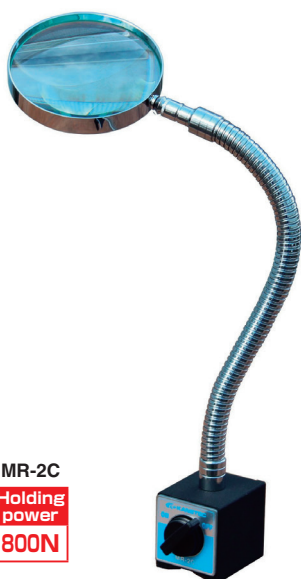
[mm (in)]

Model	Holding Power	Mounting Hole			Mass
		Width	Length	Height	
MB-2FPG	1471N (150kgf)	50 (1.96)	120 (4.72)	51.5 (2.02)	2.5kg/5.5 lb

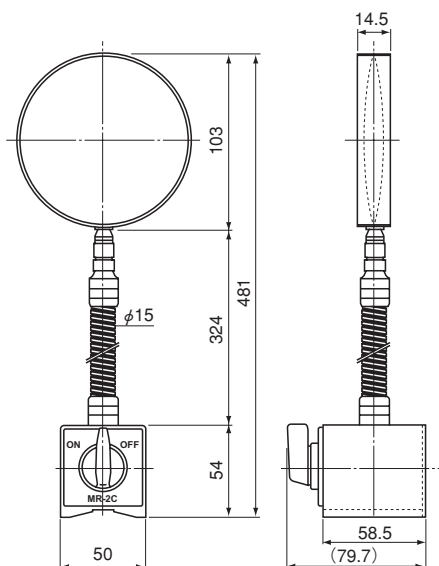
※Bottom face holding power when workpiece held on whole top face: 294 N (30 kgf), Top face holding power when workpiece held on whole bottom face: 245 N (25 kgf)  
("Top face holding power when workpiece held on whole bottom face" is based on a test piece of S15C, □50 × t25.)

**Caution:** Attraction on a curved face not allowed. Not waterproof construction. For use of several bases simultaneously, they need to be finished together. Please contact us.

**Model MR MAGNETIC LENS STAND MAGLENS\***



MR-2C  
Holding power  
**800N**

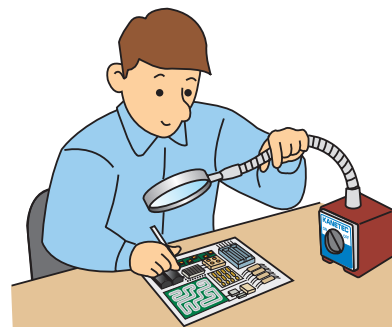


**[Application]**

Very useful for reading a scale of measuring instruments.

**[Features]**

- The bright and large diameter lens protects your eyes from fatigue and facilitates reading.
- The Maglens is equipped with a flexible tube which enables the Maglens to be set at any angle as desired. The lens is also turnable.



[mm (in)]

Model	Holding Power	Flexible Tube Length	Lens Dia.	Focus Distance	Magnification	Mass
MR-2C	800N (80kgf)	257 (10.1)	φ 100 (3.93)	250 (9.84)	×2	1.5kg/3.3 lb

※The holding power is based on a test piece of SS400, 10 mm thick, ground surface.

ELECTROMAGNETIC CHUCKS  
CHUCK CONTROLLERS  
MAGNETIC CHUCKS  
PERMANENT CHUCKS  
PERMANENT ELECTROMAGNETIC CHUCKS  
BLOCKS FOR MC  
VACUUM CHUCKS  
PROMELTA\* SYSTEM  
SINE BAR CHUCKS  
BLOCKS HOLDERS, MINI CHUCKS  
HOLDING TOOLS  
MEASURING TOOL HOLDERS  
MAGNETIC HOLDERS  
MAGNETIC TOOLS